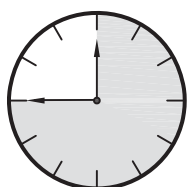




TOYOTA C-HR 2016-

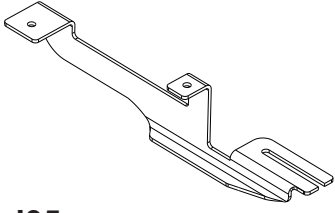
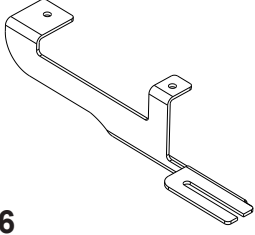
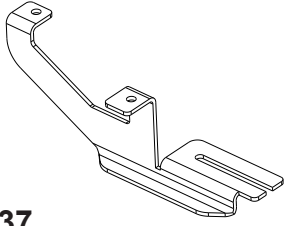
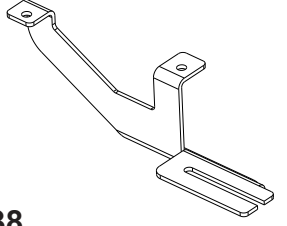
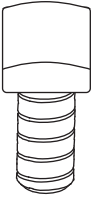
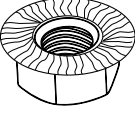
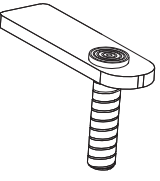
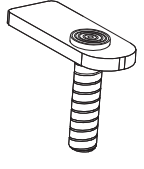
- | | |
|---------------------------------------|--------------------------------------|
| (TR) MONTAJ TALÍMATI | (GB) FITTING INSTRUCTIONS |
| (F) INSTRUCTIONS DE MONTAGE | (P) INSTRUCOES DE MONTAGEM |
| (NL) MONTAGEHANDLEIDING | (PL) INSTRUCJE WBUDOANIA |
| (H) FELSZERESLESI UTASITAS | (ENG) MOUNTING INSTRUCTIONS |
| (D) EINBAUANLEITUNG | (SWE) MONTAGEANVISNING |
| (CZ) POKYNY PRO MONTAZ | (SLO) NAVODILA ZA INSTALACIJO |
| (ESP) INSTRUCCIONES DE MONTAJE | (RU) ИНСТРУКЦИЯ ПО УСТАНОВКЕ |



45 MINUTE

M7028971-C

MONTAJ SETİ / INSTALLATION SET

| | | | |
|--|---|--|---|
|  J35 |  J36 |  J37 |  J38 |
| A SOL ÖN BRAKET LEFT FRONT BRACKET | B SAĞ ÖN BRAKET RIGHT FRONT BRACKET | C SOL ARKA BRAKET LEFT REAR BRACKET | D SAĞ ARKA BRAKET RIGHT REAR BRACKET |
|  |  |  |  |
| E M8 x 20 (x8) | F M8 (x 16) | G M8 (x 6) | H M8 (x 2) |

REQUIRED TOOLS

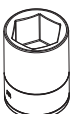
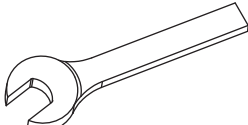
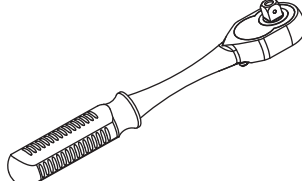
| | | |
|---|---|---|
|  SW13 |  SW13 |  |
|---|---|---|

Fig. 1

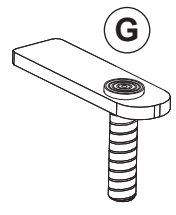
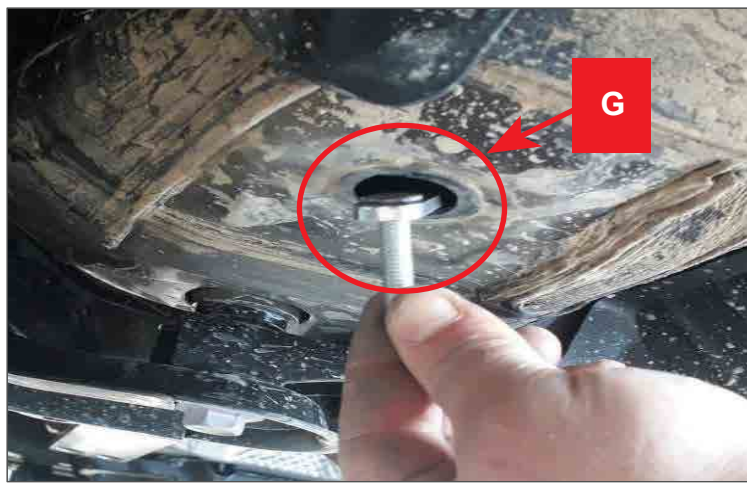
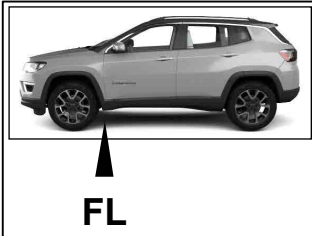


Fig. 2

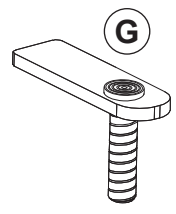
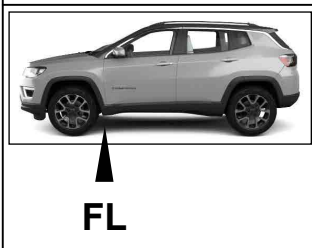


Fig. 3

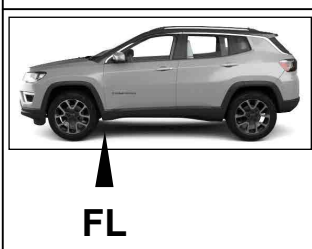


Fig. 4

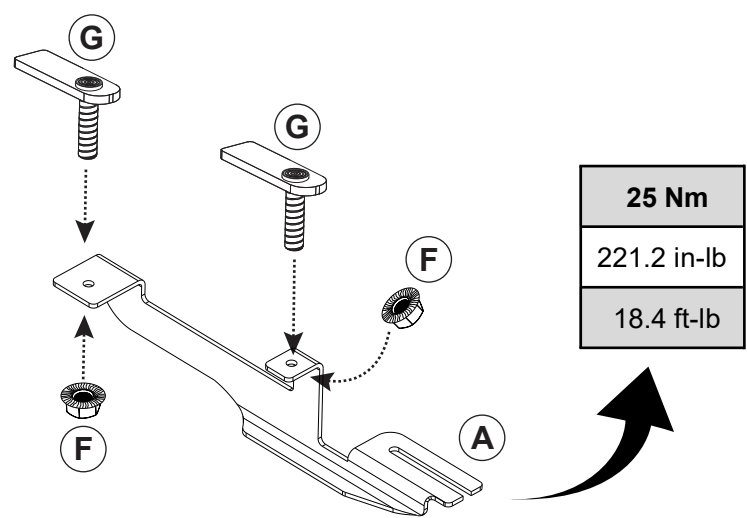
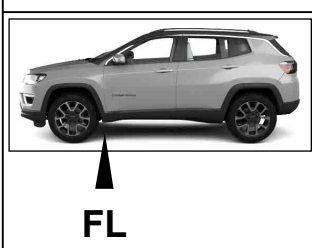


Fig. 1

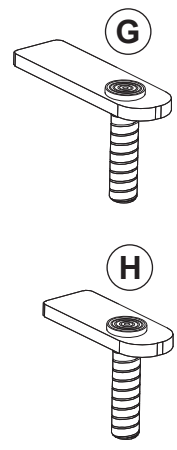
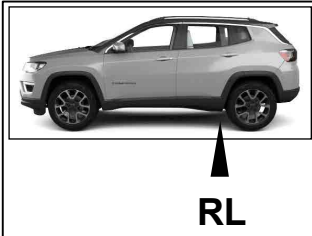


Fig. 2

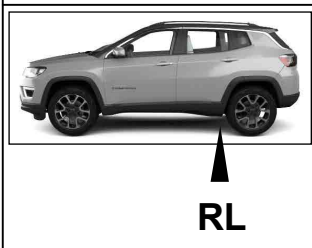
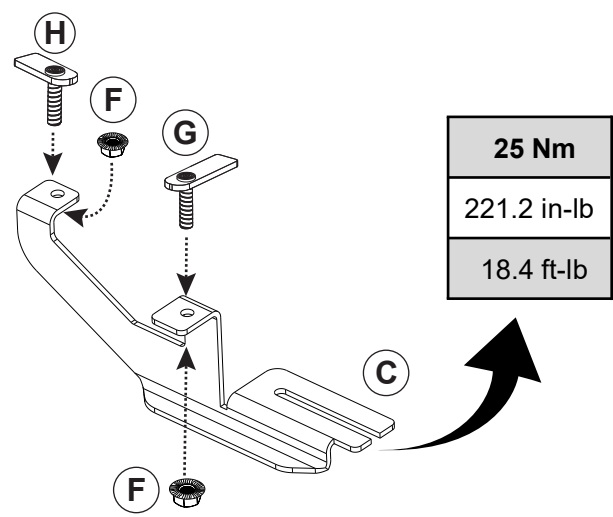
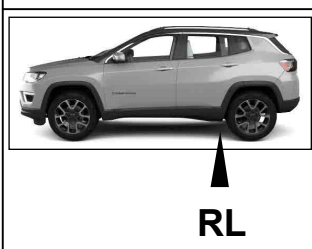


Fig. 3



| |
|--------------|
| 15 Nm |
| 132.7 in-lbf |
| 11.0 ft-lbf |

