

MENABO

free time on the move

OMEGA

IT Istruzioni di montaggio

EN Fitting instructions

DE Montageanleitung

FR Instructions de montage

ES Instrucciones de montaje

BG инструкции за сглобяване

CS Návod na montáž

DA Monteringsvejledning

EL Οδηγίες συναρμολόγησης

ET Paigaldusjuhend

FI Asennusohje

HR Uputa za sastavljanje

HU A felszerelés módja

LT Pritvirtinimo instrukcijos

LV Stiprināšanas instrukcija

NL Montagehandleiding

NO Monteringsanvisning

PL Instrukcja montażu

PT Instruções de Montagem

RO Instrucțiuni de montare

RU Инструкции по установке

SK Návod na montáž

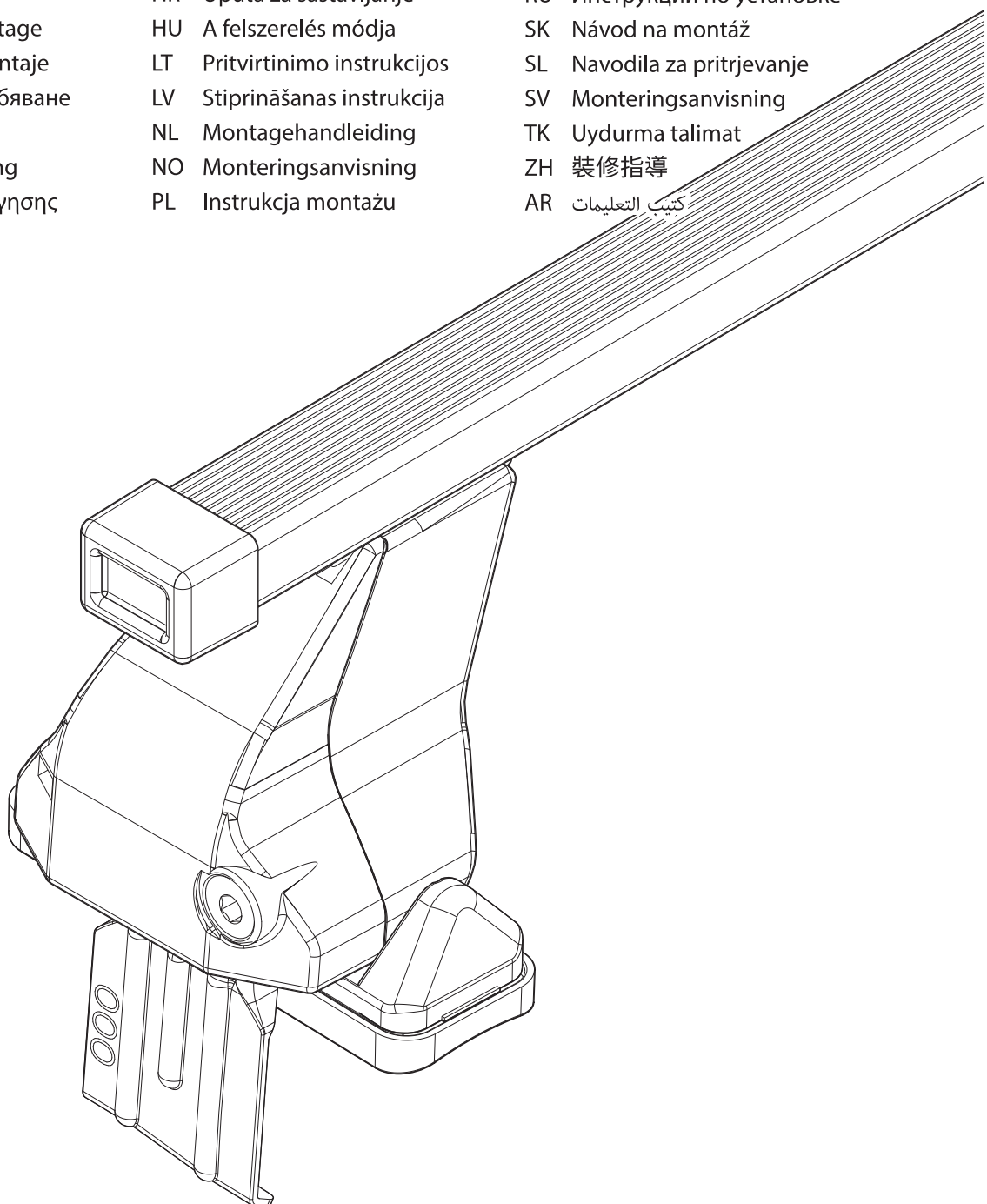
SL Navodila za pritrjevanje

SV Monteringsanvisning

TK Uydurma talimat

ZH 裝修指導

AR كتيب التعليمات



Made in Italy

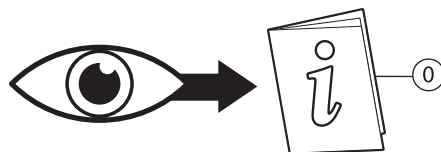


FIXING KIT				
N.	[IT]Componenti (Inclusi) [EN]Components (Included) [FR]Composants (Comprises) [DE]Die Komponenten (im Lieferumfang enthalten) [ES]Componentes (Incluido)	Q.	[IT]Ricambi (A Richiesta) [EN]Spare Parts (Made to order) [FR]Pièces de rechange (Sur commande) [DE]E Teile (auf Anfrage) [ES]Piezas de recambio (Previa solicitud)	
0		1	Codice-Code-Código	Q.
1		2/4	700029100000	1
2		2/4		1
3		2/4	700029200000	1
4		2/4		1
5		2	-	-
6		2	-	-
7		4	700008600000	4
8		4		4

MAIN KIT				
N.	[IT]Componenti (Inclusi) [EN]Components (Included) [FR]Composants (Comprises) [DE]Die Komponenten (im Lieferumfang enthalten) [ES]Componentes (Incluido)	Q.	[IT]Ricambi (A Richiesta) [EN]Spare Parts (Made to order) [FR]Pièces de rechange (Sur commande) [DE]E Teile (auf Anfrage) [ES]Piezas de recambio (Previa solicitud)	
9		2	Codice-Code-Código	Q.
10		4	700028200000	4
11		4	700025300000	4
12		1	700025000000	1
13		4	700049600000	1
14		-	700046500000	1
15		-	700046400000	4

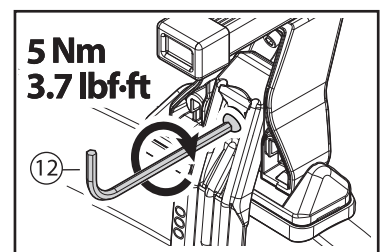
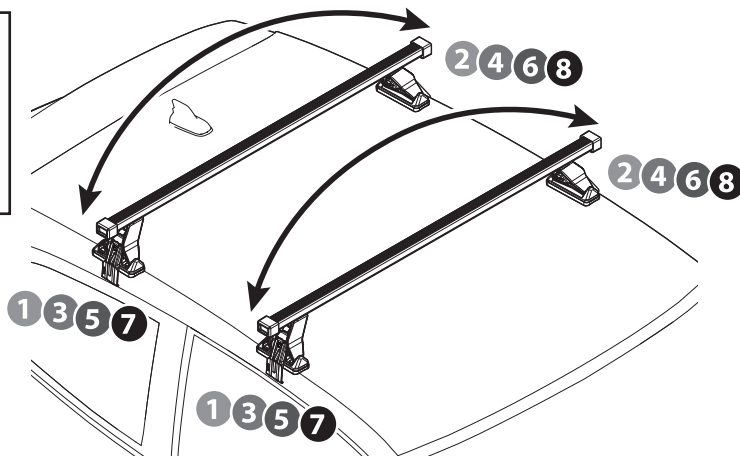
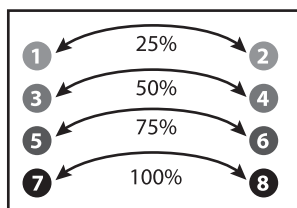
OPTIONAL KIT 000084800000		
N.		Q.
16		2
17		4

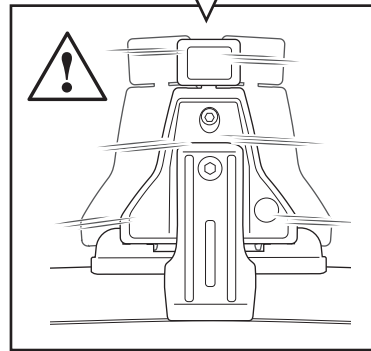
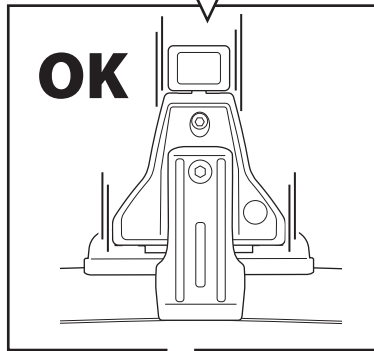
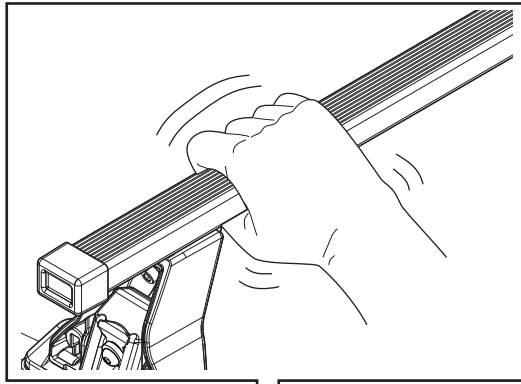
1



FIXING KIT OMEGA

7

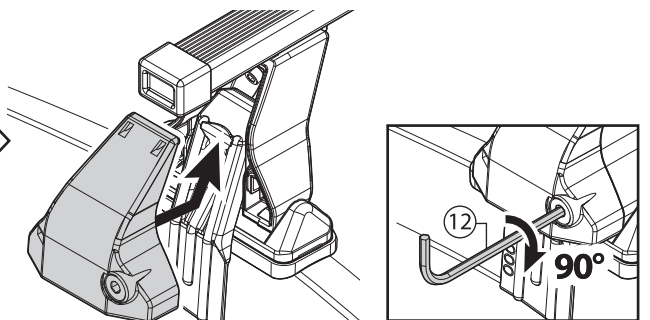
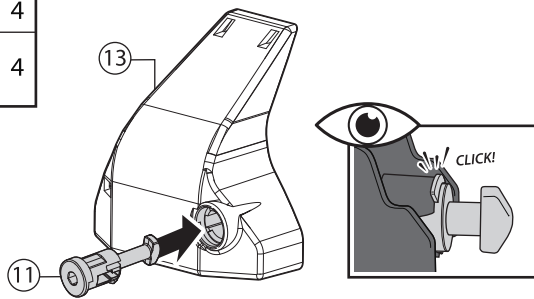




7 PAG 2

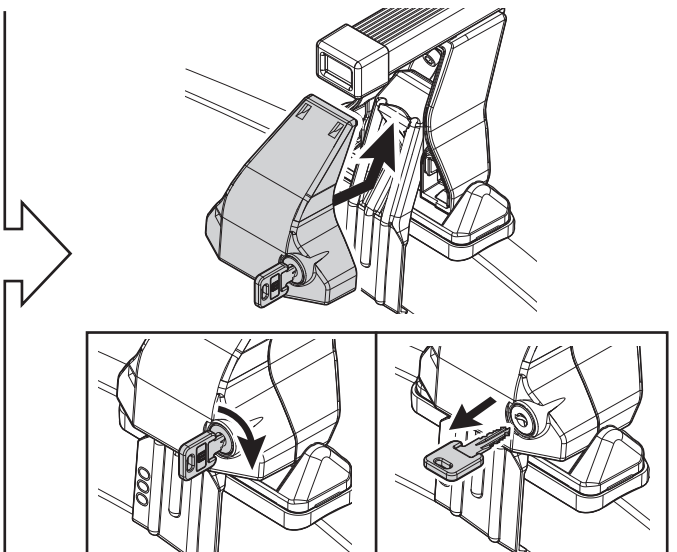
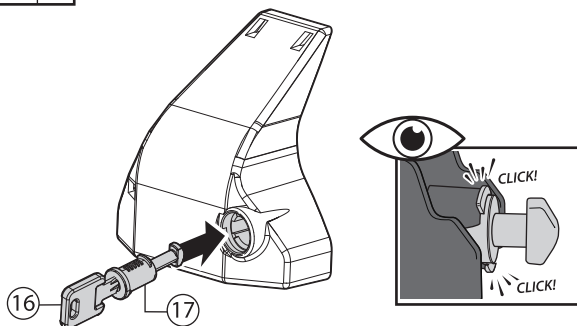
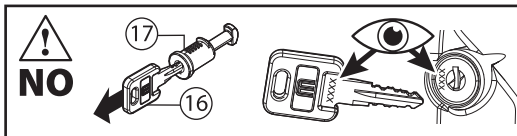
X4

N.	Q.
11	4
13	4




9 - OPTIONAL KIT 00008480000

N.	Q.
16 XXXX	2
17	4




Fix G

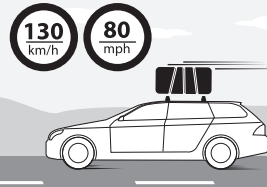


MAX
50kg 110lb

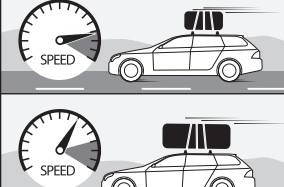
Fix FP



MAX
75kg 165lb

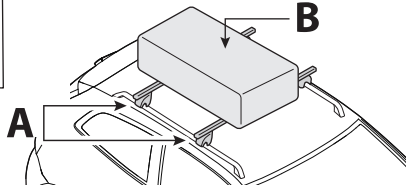


130 km/h 80 mph

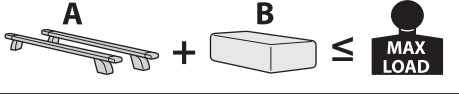


SPEED


CAR MANUAL



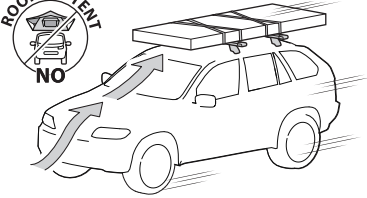
A **B**



A + **B** ≤ **MAX LOAD**

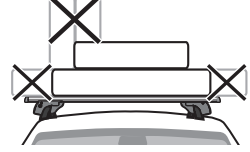


90 km/h 56 mph




NO ROOFTOP TENT

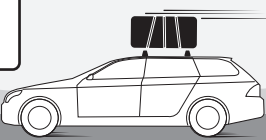
NO



OK



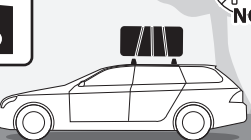
DYNAMIC



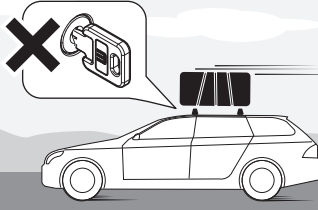
MAX PAYLOAD

STATIC

2,5x **MAX PAYLOAD**

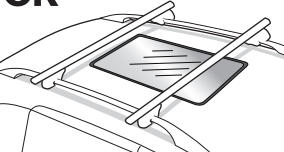


NO ROOFTOP TENT




NO

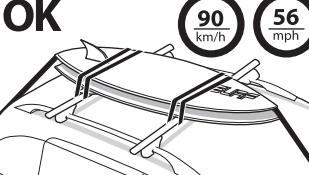
OK



NO

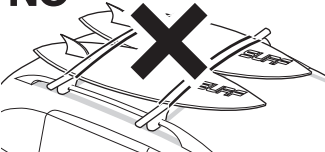


OK

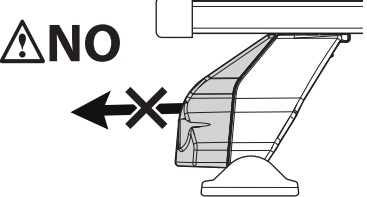


90 km/h 56 mph

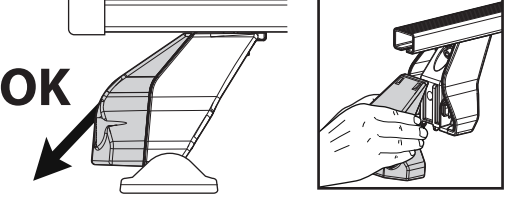

NO



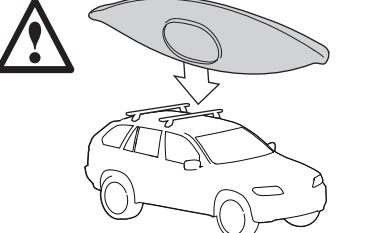
NO



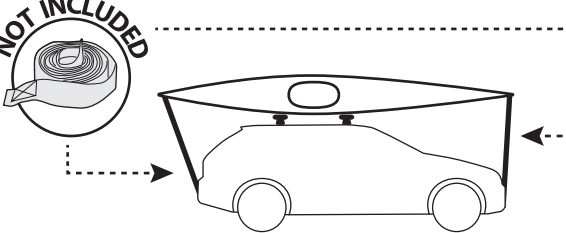
OK

NO



NOT INCLUDED



90 km/h 56 mph

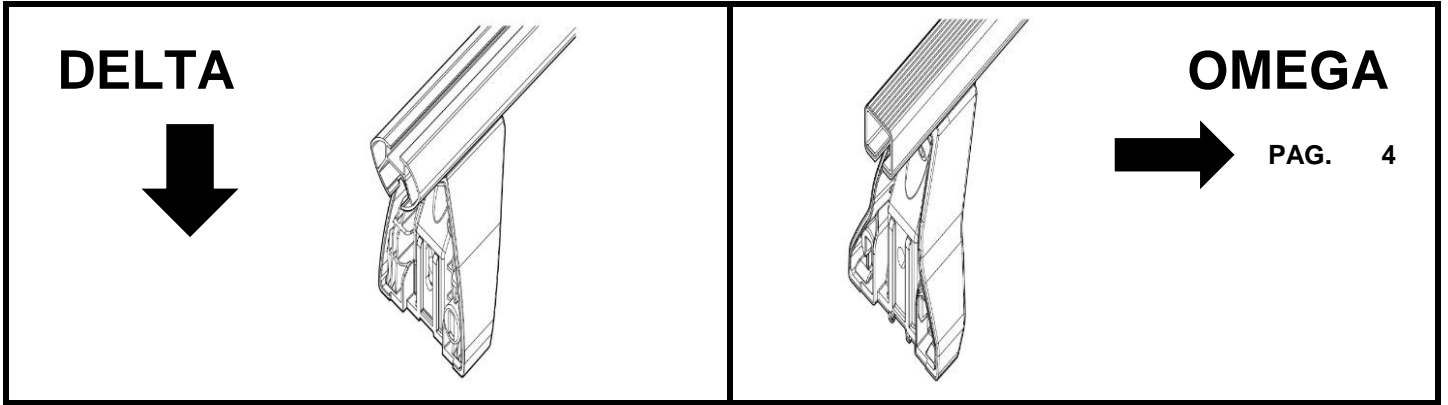


F.lli Menabò S.r.l.
Via 8 Marzo, 3 -Z.I. Corte Tegge
42025 Cavriago (RE) ITALY
customercare@flli-menabo.it
www.menabocaraccessories.com

PRODUCT REGISTRATION

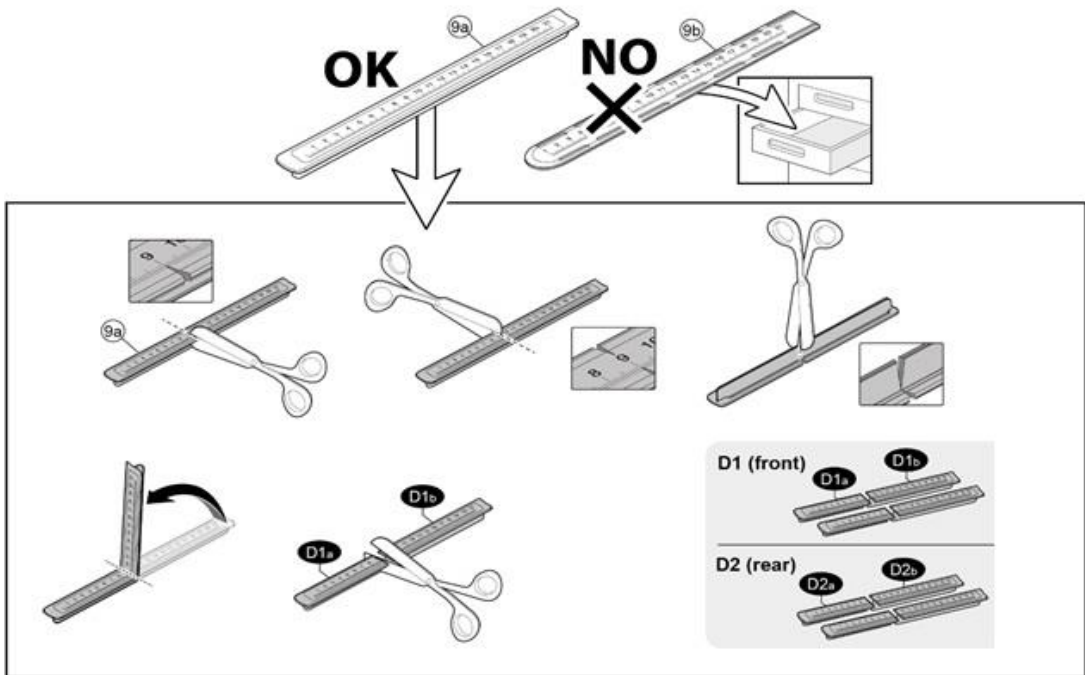


500040400000
10/07/2024



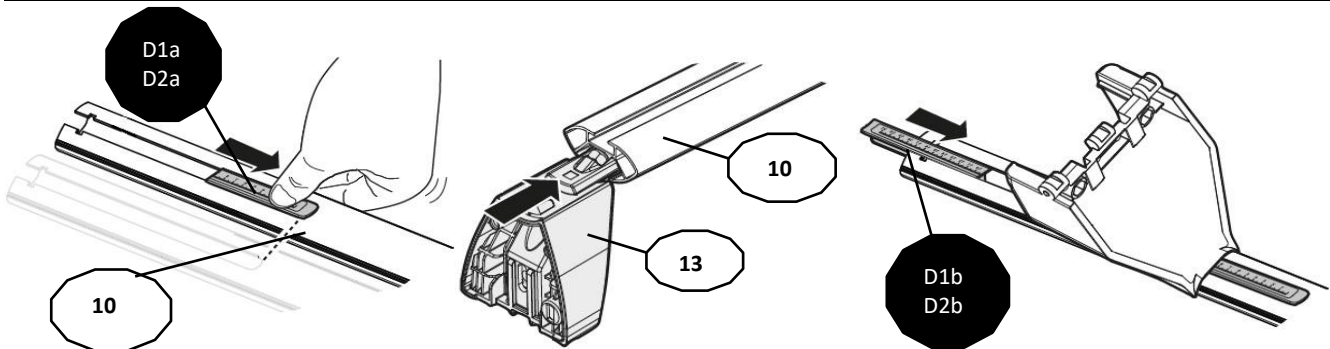
FIXING KIT DELTA

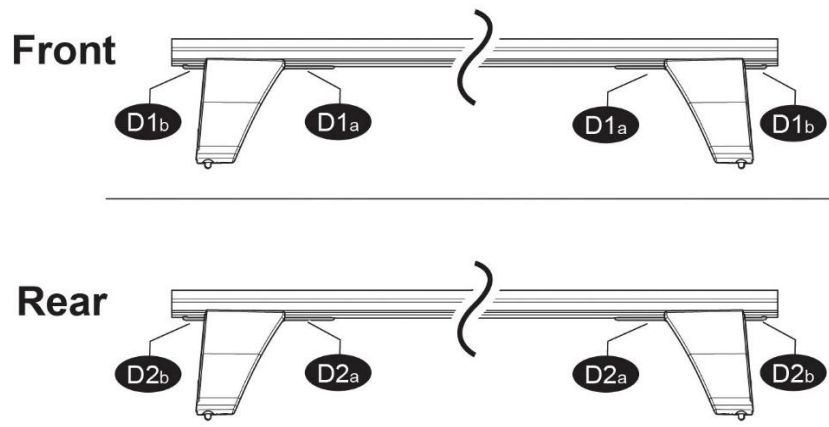
1



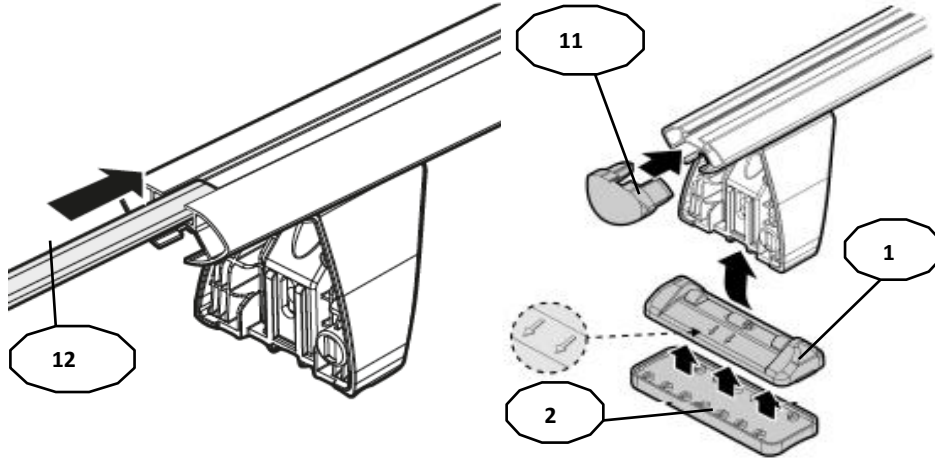
MANUFACTURER	MODEL CAR	DOORS	MODEL YEAR	D1	D2
INFINITI	Q70 (Y51)	4	13>	7,2	5,5
MITSUBISHI	Mirage G4 (A10) Sedan	4	13>	4,7	1,5

2

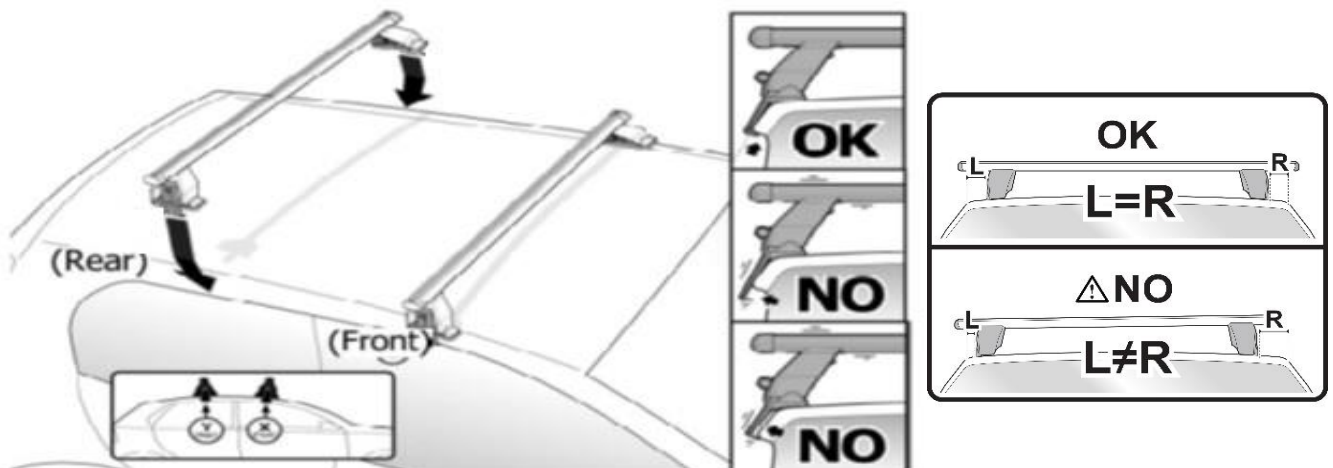
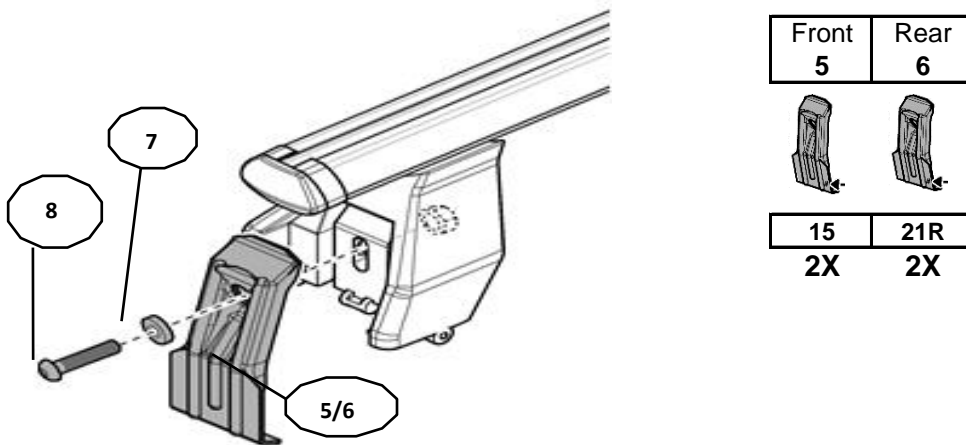


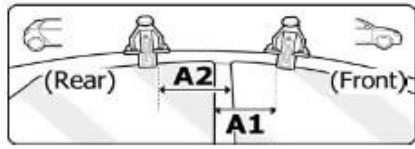


3 **x4**

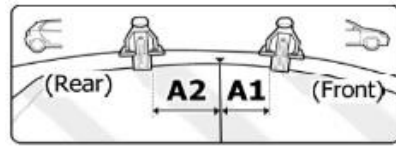


4





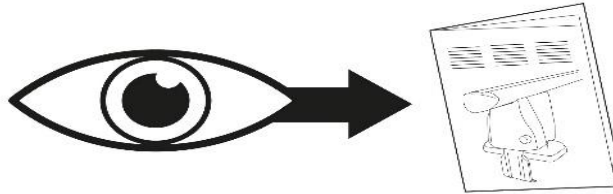
OR



MANUFACTURER	MODEL CAR	DOORS	MODEL YEAR	A1	A2	A1	A2
				cm	cm	in	in
INFINITI	Q70 (Y51)	4	13>	23	43	9,1	16,9
MITSUBISHI	Mirage G4 (A10) Sedan	4	13>	32	34	12,6	13,4

X = predisposizione originale /original arrangement

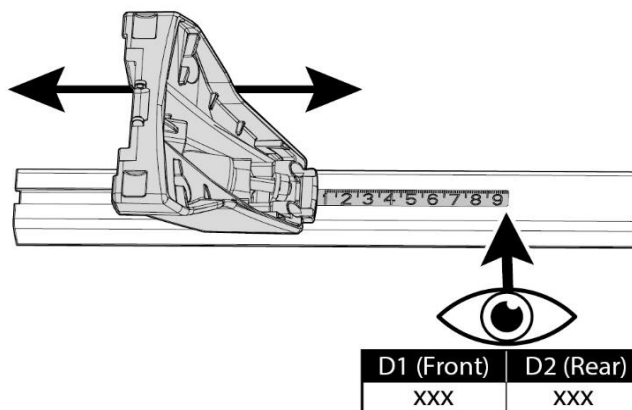
5



MANUAL DELTA

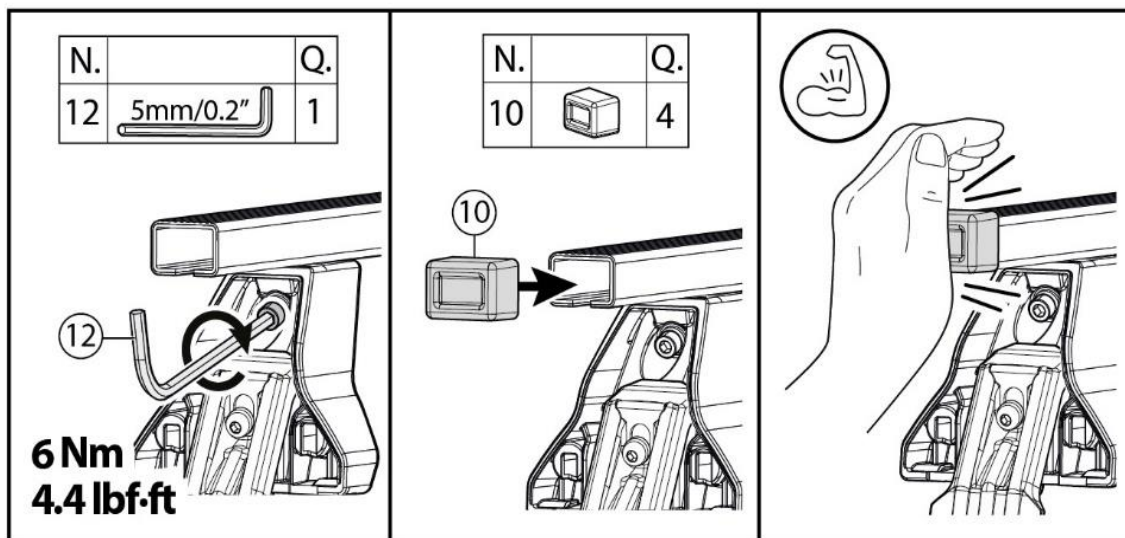
FIXING KIT OMEGA

2

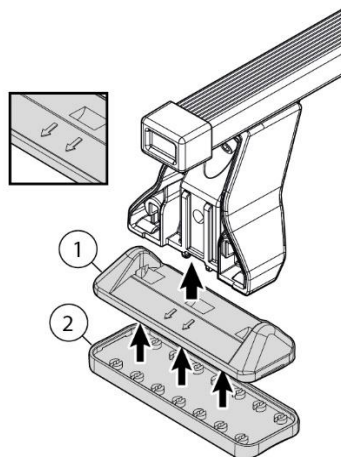


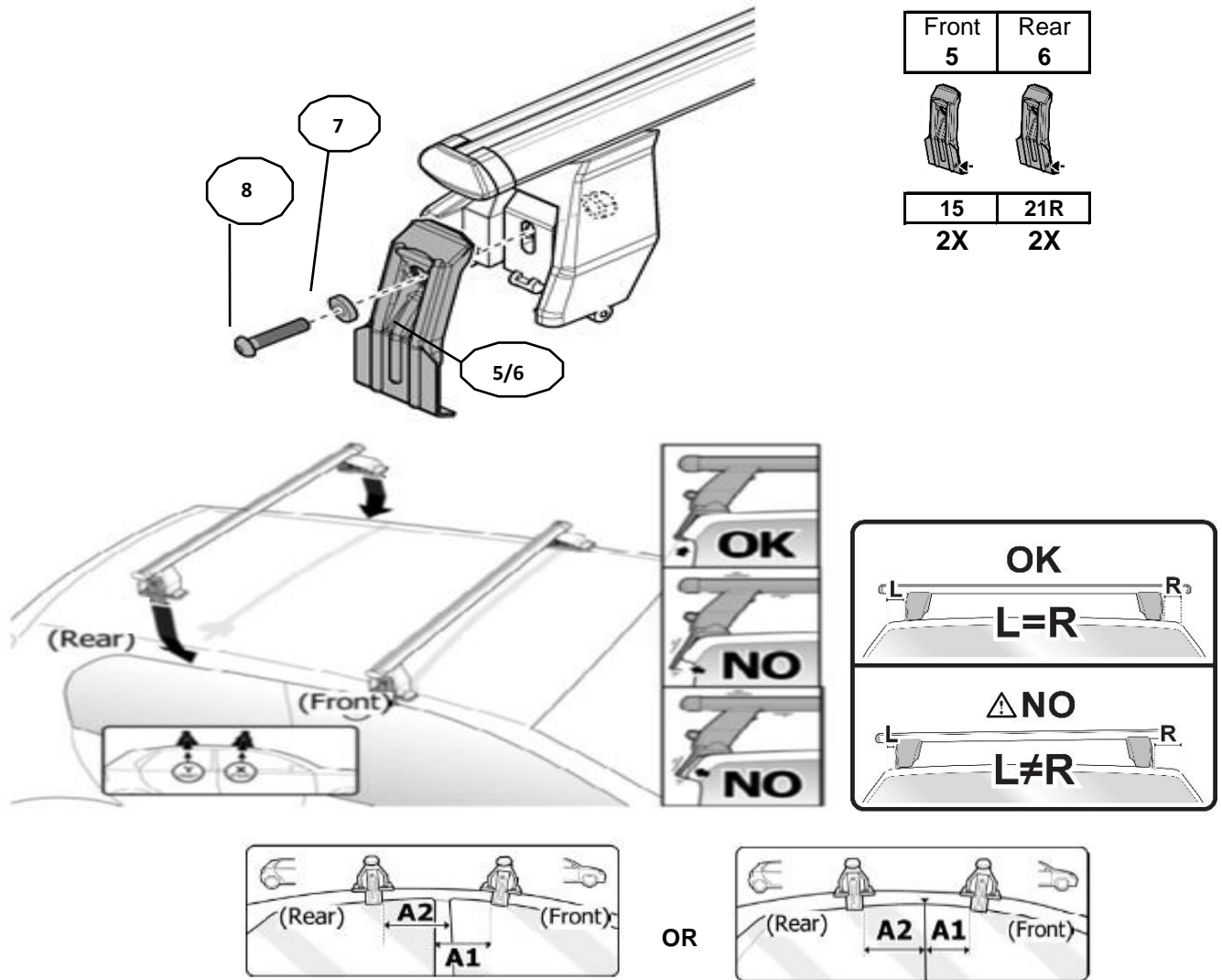
MANUFACTURER	MODEL CAR	DOORS	MODEL YEAR	D1	D2
INFINITI	Q70 (Y51)	4	13>	7,2	5,5
MITSUBISHI	Mirage G4 (A10) Sedan	4	13>	4,7	1,5

3



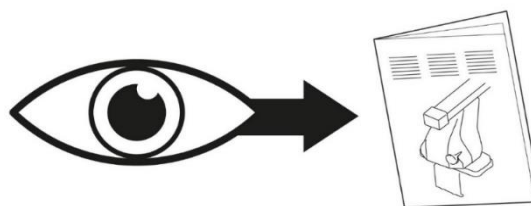
4





MANUFACTURER	MODEL CAR	DOORS	MODEL YEAR	A1	A2	A1	A2
				cm	cm	in	in
INFINITI	Q70 (Y51)	4	13>	23	43	9,1	16,9
MITSUBISHI	Mirage G4 (A10) Sedan	4	13>	32	34	12,6	13,4

X = predisposizione originale /original arrangement



MANUAL OMEGA

NOTE:
