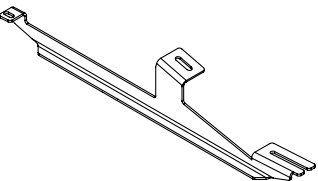
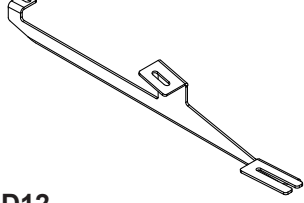
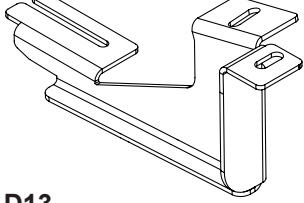
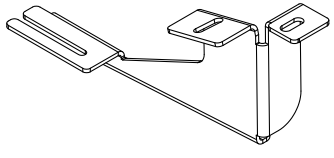
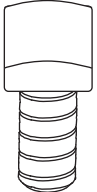
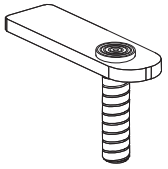
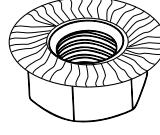
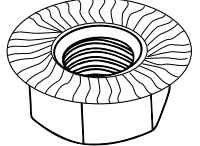


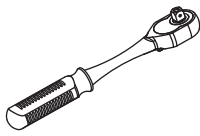


FORD EXPLORER 2011-

MONTAJ SETİ / INSTALLATION SET

			
D11	D12	D13	D14
A SOL ÖN BRAKET LEFT FRONT BRACKET	B SAĞ ÖN BRAKET RIGHT FRONT BRACKET	C SOL ARKA BRAKET LEFT REAR BRACKET	D SAĞ ARKA BRAKET RIGHT REAR BRACKET
			
E M8 x 20 (x8)	F M10 (x 6)	G M8 (x 8)	H M10 (x 6)

REQUIRED TOOLS

 SW13	 SW17	 SW17	 SW13
--	--	--	---

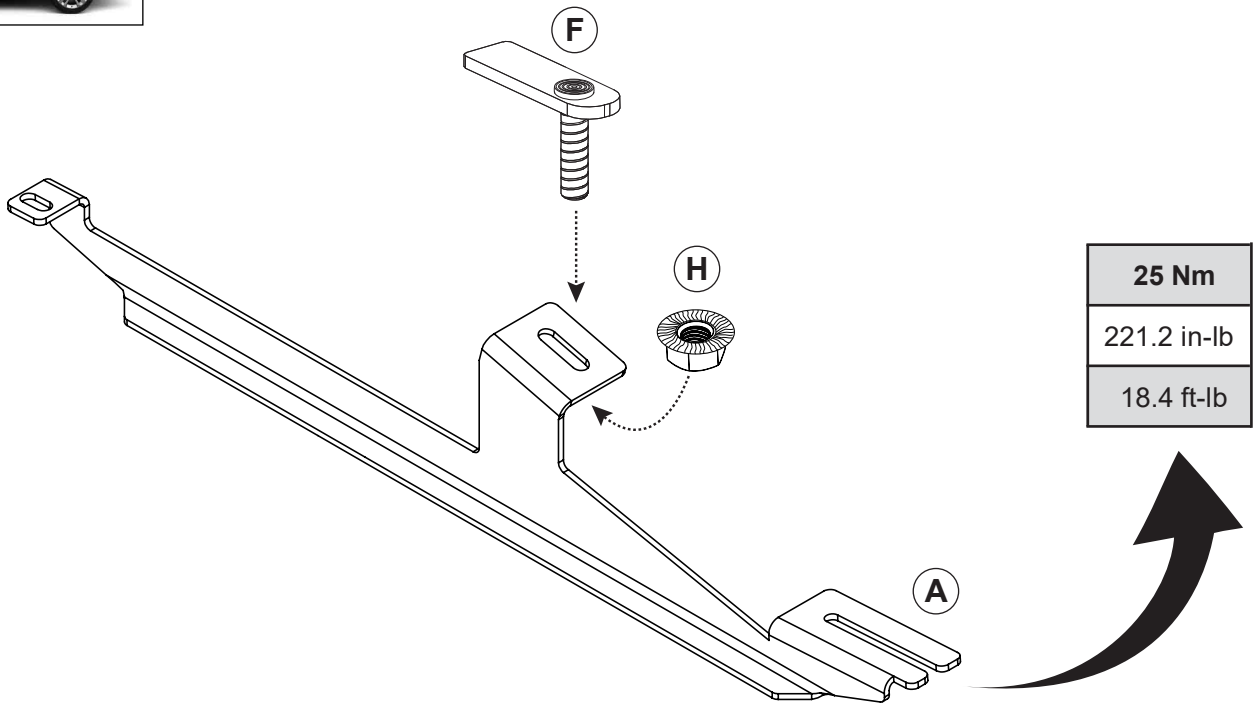


45 MINUTE

M2688971-C



FL



RL

