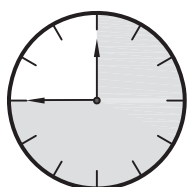




JEEP LIBERTY 2008-

- | | |
|-------------------------------------|------------------------------------|
| TR MONTAJ TALIMATI | GB FITTING INSTRUCTIONS |
| F INSTRUCTIONS DE MONTAGE | P INSTRUCOES DE MONTAGEM |
| NL MONTAGEHANDLEIDING | PL INSTRUCJE WBUDOANIA |
| H FELSZERESLESI UTASITAS | ENG MOUNTING INSTRUCTIONS |
| D EINBAUANLEITUNG | SWE MONTAGEANVISNING |
| CZ POKYNY PRO MONTAZ | SLO NAVODILA ZA INSTALACIJO |
| ESP INSTRUCCIONES DE MONTAJE | RU ИНСТРУКЦИЯ ПО УСТАНОВКЕ |

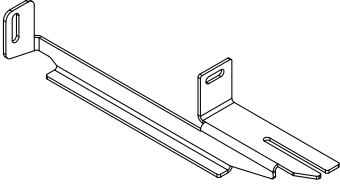
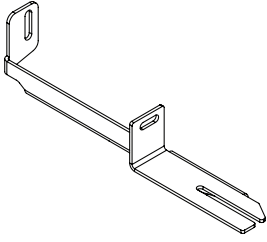
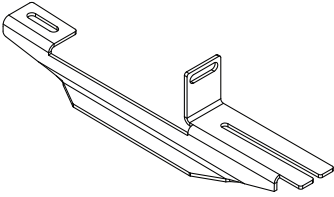
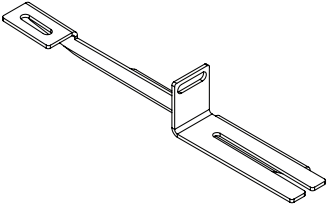
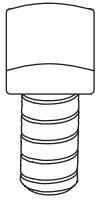
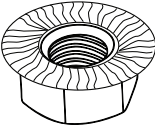
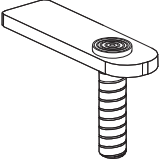
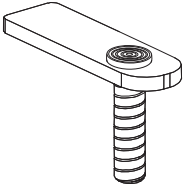
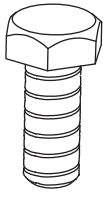
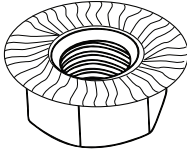
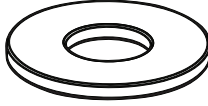


45 MINUTE



M1707971-C

MONTAJ SETİ / INSTALLATION SET

			
A SOL ÖN BRAKET LEFT FRONT BRACKET	B SAĞ ÖN BRAKET RIGHT FRONT BRACKET	C SOL ARKA BRAKET LEFT REAR BRACKET	D SAĞ ARKA BRAKET RIGHT REAR BRACKET
			
E M8 x 20 (x8)	F M8 (x 10)	G M8 (x 2)	H M10 (x 2)
			
I M8 x 25 (x4)	J M10 (x 2)	K M8 (x 4)	

REQUIRED TOOLS



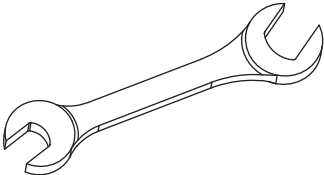
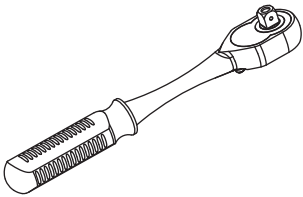
 SW13 (40Nm)	 SW17 (50Nm)	 SW17 (50Nm)	 SW13 (40Nm)
---	---	--	---

Fig. 1



FL

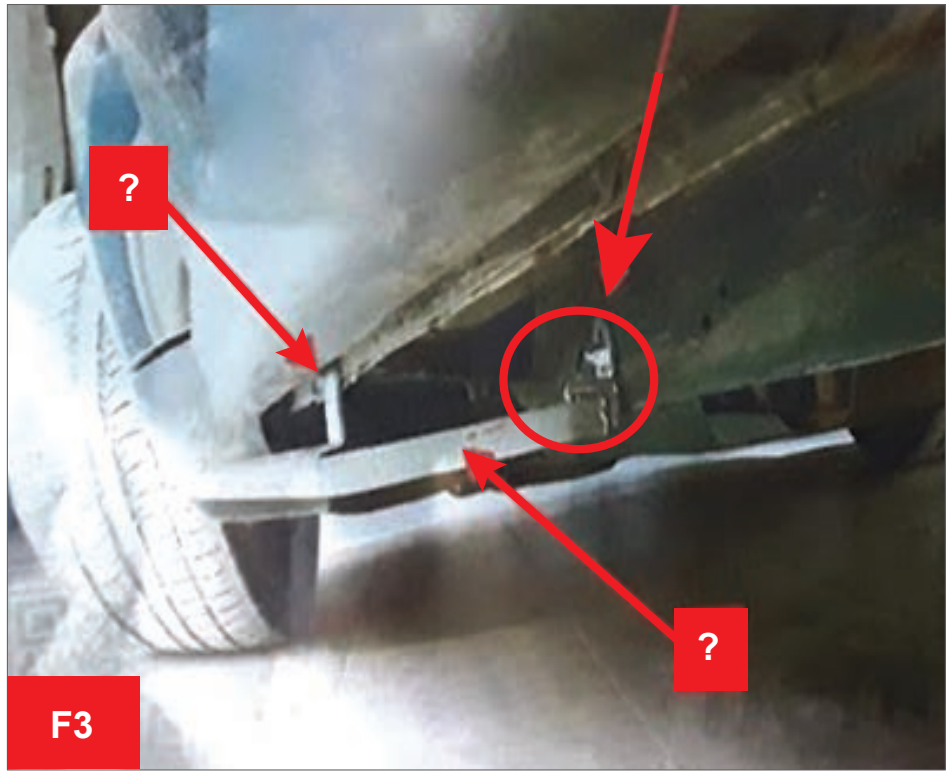


Fig. 2



FL

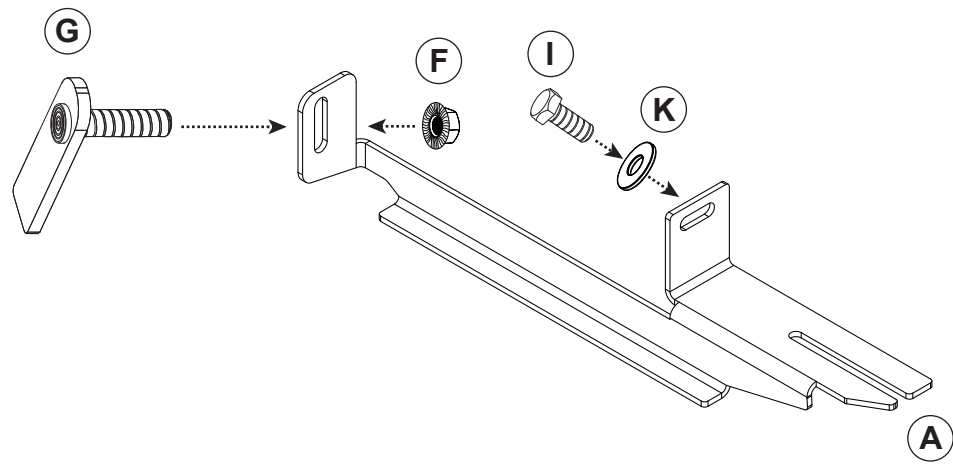


Fig. 1

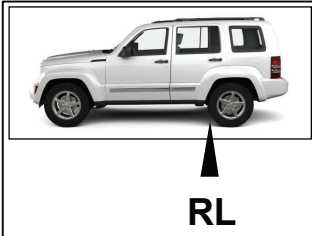


Fig. 2

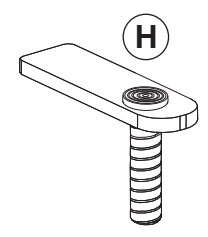
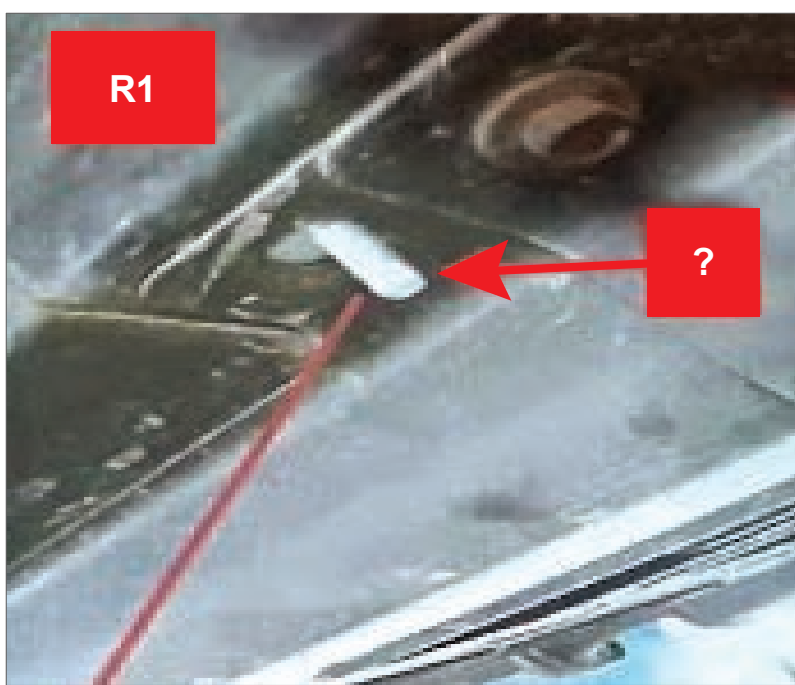
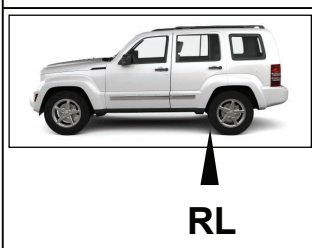


Fig. 3

