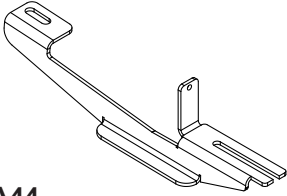
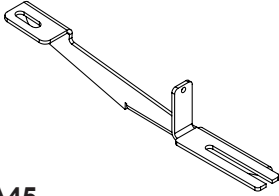
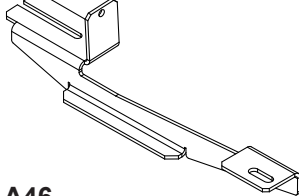
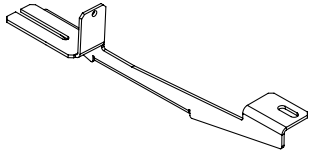
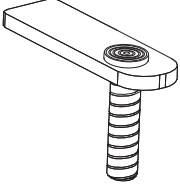
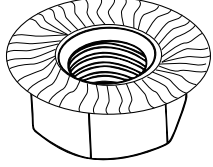
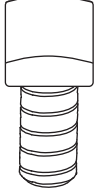
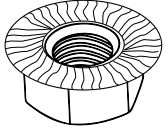
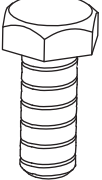




CITROEN BERLINGO - PEUGEOT PARTNER TEPEE 1996-2008

MONTAJ SETİ / INSTALLATION SET

			
A44	A45	A46	A47
A SOL ÖN BRAKET LEFT FRONT BRACKET	B SAĞ ÖN BRAKET RIGHT FRONT BRACKET	C SOL ARKA BRAKET LEFT REAR BRACKET	D SAĞ ARKA BRAKET RIGHT REAR BRACKET
			
E M10 (x 4)	F M10 (x 4)	G M8 x 20 (x8)	H M8 (x 8)
			
I 5,5 x 38 (x4)			

REQUIRED TOOLS

 SW13	 SW17	 SW13	
--	--	--	--

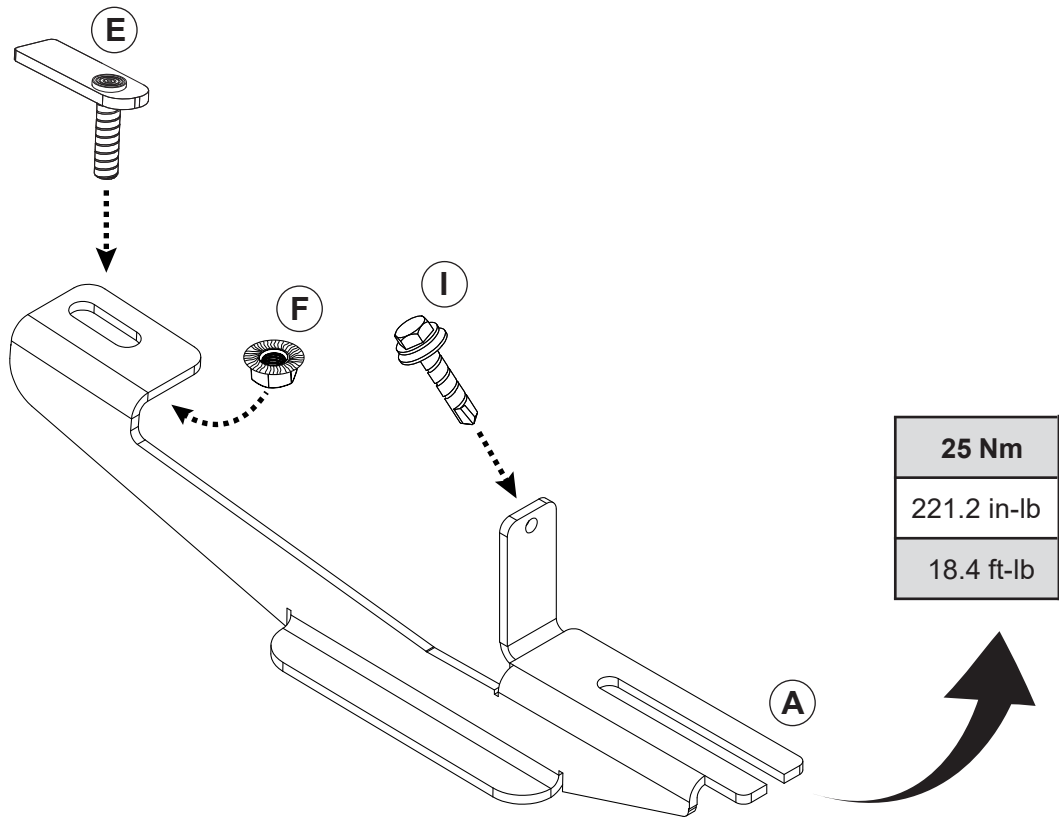


45 MINUTE

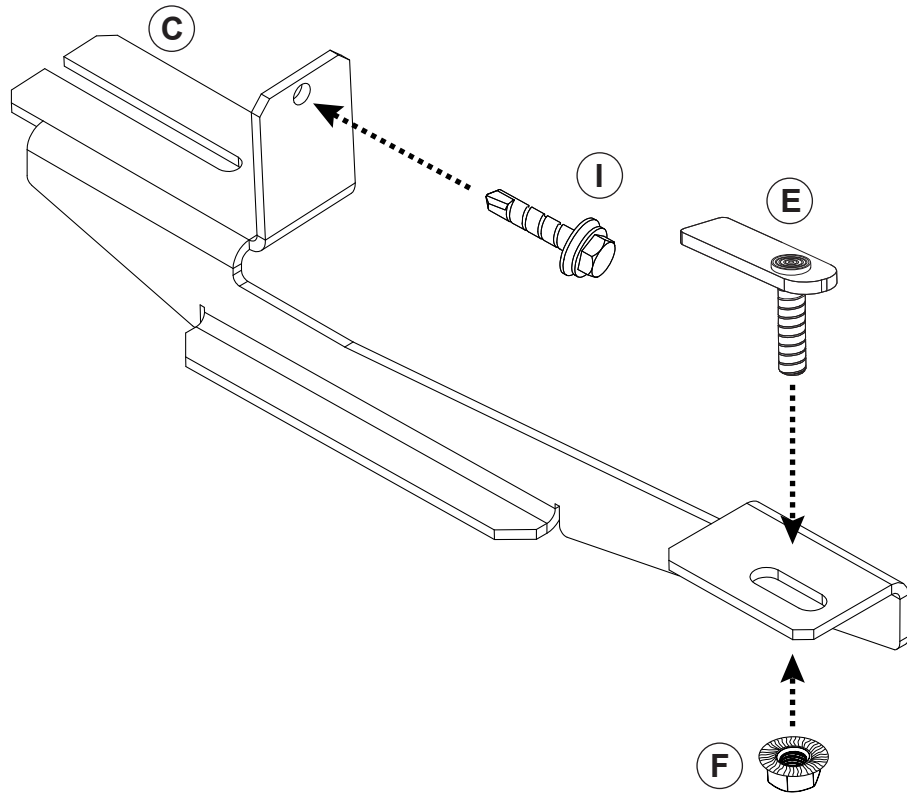
M1520971-C



FL



RL



15 Nm
132.7 in-lbf
11.0 ft-lbf

