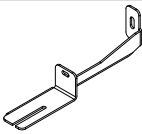
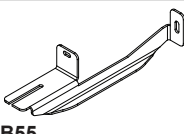
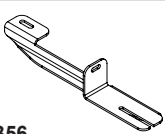
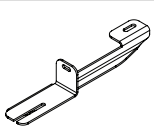
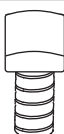

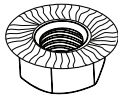
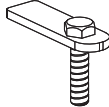
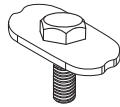
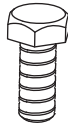
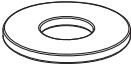





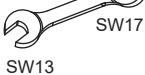


DODGE NITRO 2007-2012

MONTAJ SETİ / INSTALLATION SET

 B54	 B55	 B56	 B57	
(A) SOL ÖN BRAKET FRONT LEFT BRACKET (FL)	(B) SAĞ ÖN BRAKET FRONT RIGHT BRACKET (FR)	(C) SOL ARKA BRAKET LEFT REAR BRACKET (RL)	(D) SAĞ ARKA BRAKET RIGHT REAR BRACKET (RR)	(E) M8 x 20 (x8)
 (F) M8 (x 14)	 (G) M10 (x 2)	 (H) M8 (x 2)	 (I) M10 (x 2)	 (J) M8 x 25 (x4)
 (K) M8 (x 4)				

REQUIRED TOOLS

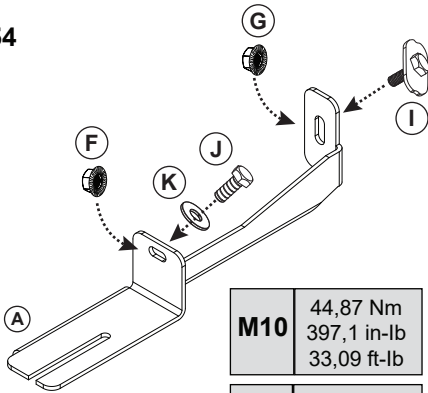
 SW13	 SW17	 SW17	 SW13
---	--	--	--



45 MINUTE



**FL
B54**

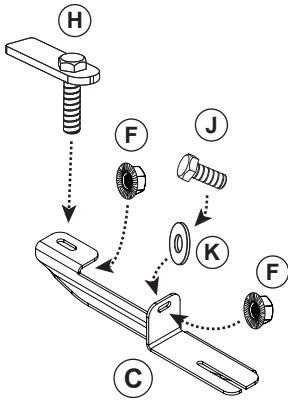


M10	44,87 Nm 397,1 in-lb 33,09 ft-lb
------------	--

M8	22,74 Nm 201,2 in-lb 16,7 ft-lb
-----------	---------------------------------------



**RL
B56**



M8	22,74 Nm 201,2 in-lb 16,7 ft-lb
-----------	---------------------------------------



M8	22,74 Nm 201,2 in-lb 16,7 ft-lb
-----------	---------------------------------------

