

\*For more info about compatibility with other models  
please see the sticker on the skid plate

## PEUGEOT BOXER

No.: 4303.1 Engine + gearbox

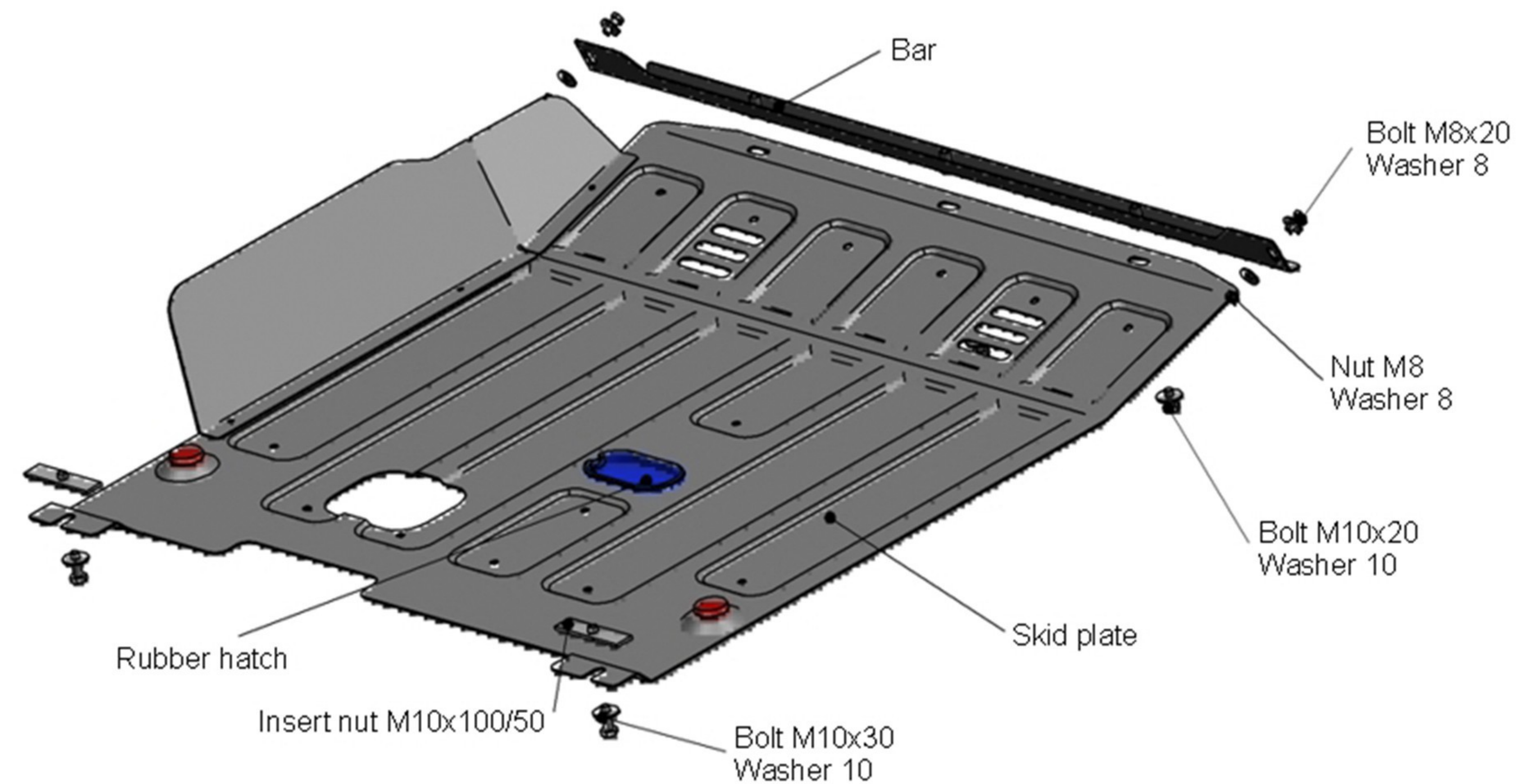
Year: 2006-

Engine: All

Transmission: All

## FITTING KIT

1. Bolt M8x20.....	2 pc
2. Bolt M10x20.....	3 pc
3. Bolt M10x23.....	2 pc
4. Nut M8.....	2 pc
5. Washer 8.....	4 pc
6. Washer 10.....	5 pc
7. Insert nut M10x100/50.....	2 pc
8. Rubber hatch.....	1 pc



## INSTALLATION INSTRUCTIONS

1. Mount the beam to original fitting points of the bumper with bolts M8x20 and nuts M8.
2. Mount insert nuts M10x100/50 into apertures of rear part of underframe, then screw bolts M10x30 into them.
3. Place rear end of skid plate on mounted bolts M10x30, then fix its front end to the beam with bolts M10x20.
4. Tighten all screws (50 Nm for M10, 30 Nm for M8, 10 Nm for M6). Use of pneumatic tools is prohibited.



WWW.RIVAL4X4.COM